

Sept. 6, 1938.

F. R. FAGEOL ET AL

2,128,930

UNIT SECTION AUTOMOTIVE VEHICLE

Filed May 18, 1934

9 Sheets-Sheet 1

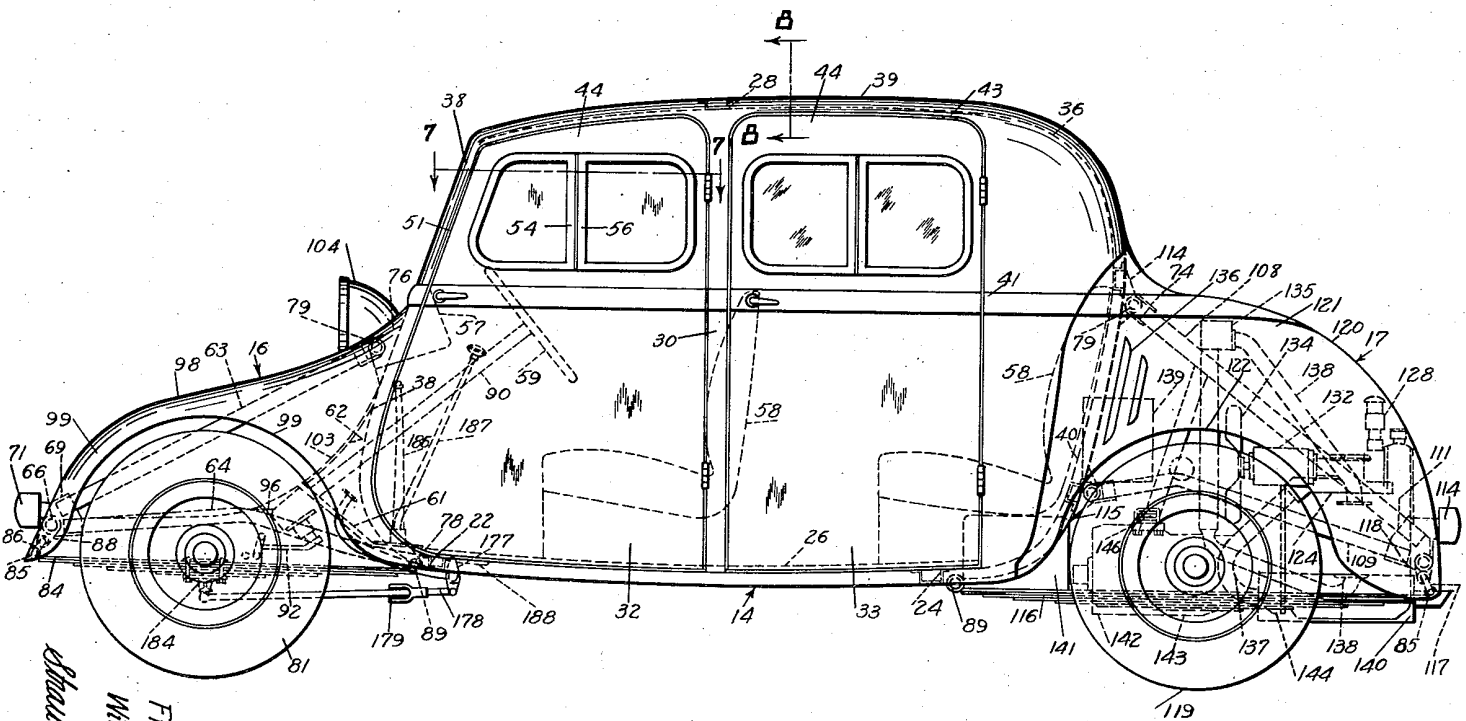


Fig. 1

Inventor
Frank R Fageol
William B Fageol
Shauch & Hoffman
Attorneys