

Sept. 6, 1938.

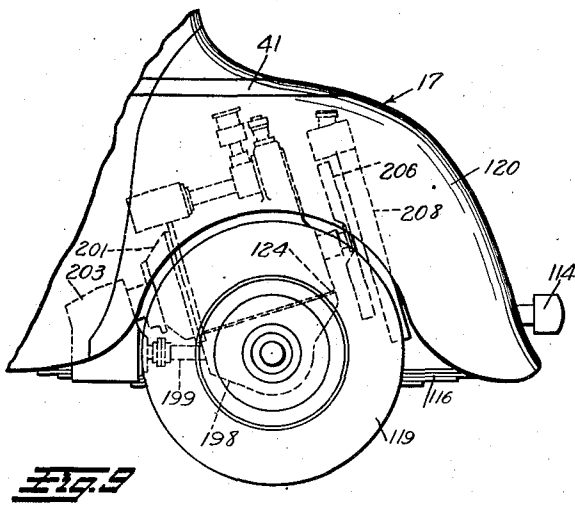
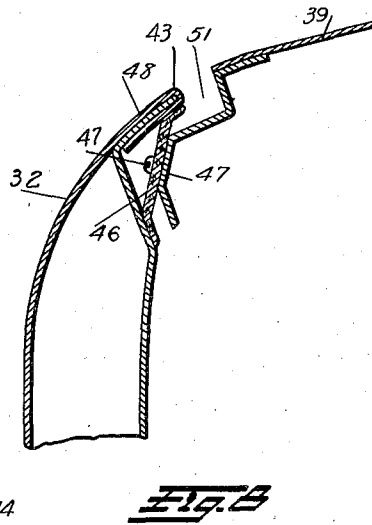
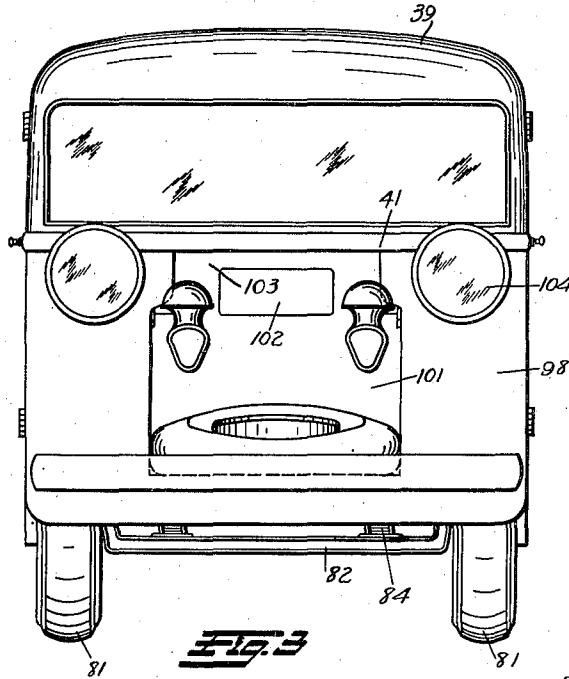
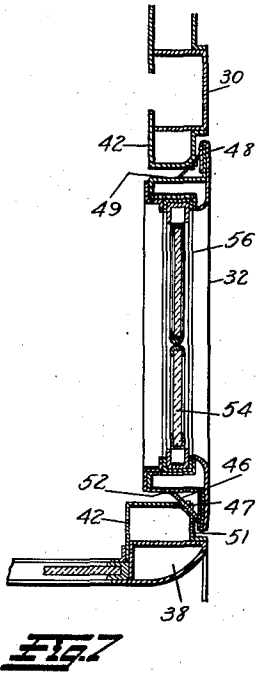
F. R. FAGEOL ET AL

2,128,930

UNIT SECTION AUTOMOTIVE VEHICLE

Filed May 18, 1934

9 Sheets-Sheet 3



Inventor
Frank R. Fageol
William B. Fageol
Strauch & Hoffman
Attorneys