

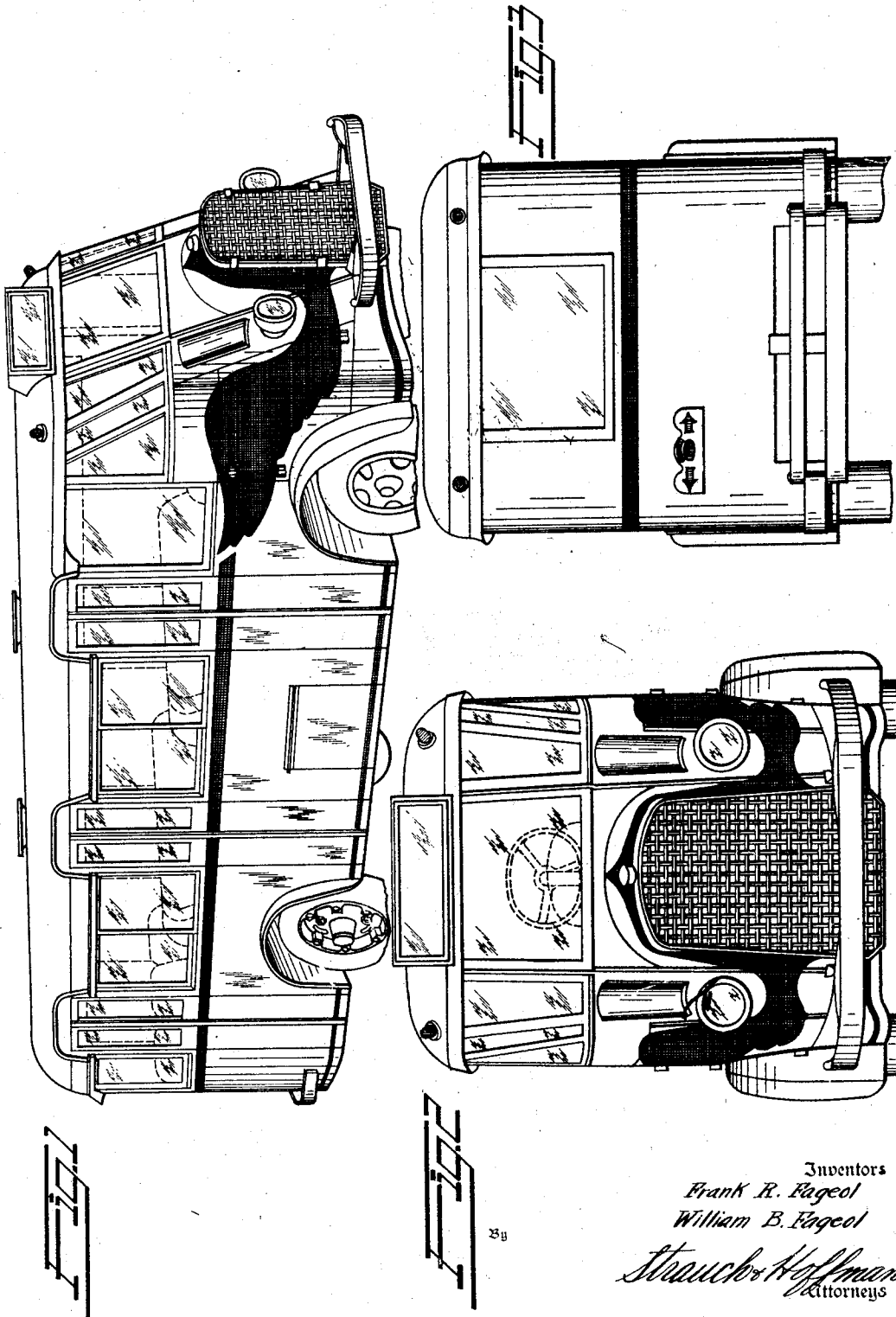
July 7, 1931.

F. R. FAGEOL ET AL

Des. 84,576

MOTOR VEHICLE

Filed May 7, 1931



Inventors  
Frank R. Fageol  
William B. Fageol

*Strauch & Hoffmann*  
Attorneys

## UNITED STATES PATENT OFFICE

FRANK R. FAGEOL AND WILLIAM B. FAGEOL, OF KENT, OHIO, ASSIGNORS TO TWIN  
COACH COMPANY, OF KENT, OHIO, A CORPORATION OF DELAWARE

### DESIGN FOR A MOTOR VEHICLE

Application filed May 7, 1931. Serial No. 39,755. Term of patent 14 years.

*To all whom it may concern:*

Be it known that we, FRANK R. FAGEOL and WILLIAM B. FAGEOL, citizens of the United States, residing at Kent, in the county of Portage and State of Ohio, have invented a new, original, and ornamental Design for Motor Vehicle, of which the following is a specification, reference being had to the accompanying drawings, forming a part thereof.

Figure 1 is a perspective view of a vehicle, showing our new design.

Figure 2 is a front view of said vehicle.

Figure 3 is a rear view thereof.

We claim:

The ornamental design for a motor vehicle substantially as shown.

FRANK R. FAGEOL.  
WILLIAM B. FAGEOL.