

Sept. 7, 1926.

Des. 71,011

R. B. FAGEOL

SCOOTER

Filed March 3, 1926

Fig. 1.

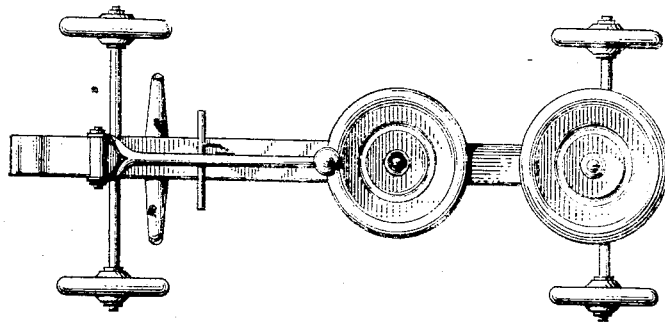
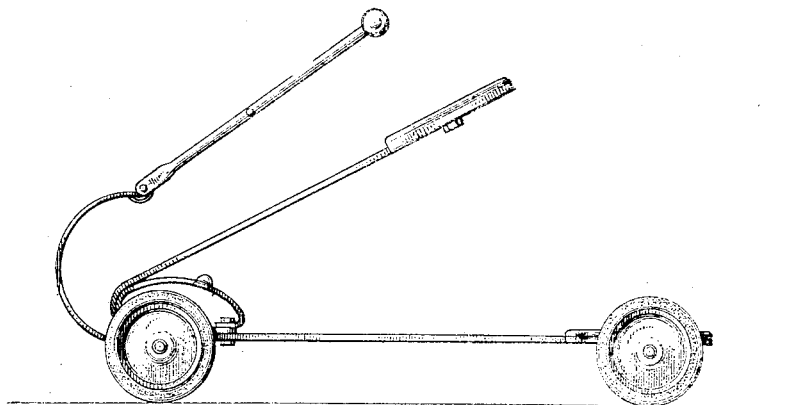


Fig. 2.



INVENTOR.
Rollie B. Fageol
BY *Drew, Strong, Innes & Loftis*
ATTORNEYS.

Patented Sept. 7, 1926.

Des. 71,011

UNITED STATES PATENT OFFICE.

ROLLIE B. FAGEOL, OF LOS ANGELES, CALIFORNIA.

DESIGN FOR A SCOOTER.

Application filed March 3, 1926. Serial No. 16,765. Term of patent 14 years.

To all whom it may concern:

Be it known that I, ROLLIE B. FAGEOL, a citizen of the United States, residing at the city of Los Angeles, county of Los Angeles, State of California, have invented a new, original, and ornamental Design for a Scooter, of which the following is a specification, reference being had to the accompanying drawings, forming part thereof.

Fig. 1 is a plan view of a scooter, showing my new design.

Fig. 2 is a view in side elevation of the same.

I claim:

The ornamental design for a scooter as shown.

ROLLIE B. FAGEOL.